

Frigidaire



Slide-In/Drop-In Ranges



Dual-Fuel Slide-In Ranges

Today as always, Frigidaire® innovation leads the home appliance industry. Our ingenuity anticipates consumer demand, delivering products of exceptional performance, convenience and style. From saving time to saving energy, Frigidaire® embodies the cutting edge of appliance design.

Our Dual-Fuel Ranges fit stylishly with your cabinetry and offer a feast of cooking options. Our EvenCook^{3™} Convection System allows you to cook juicier and more evenly browned foods even when cooking on multiple racks. Our Warm and Serve® Drawer is your assurance that your entire meal will be served hot and tasty. At the touch of a switch, our SpeedBake® Convection System cooks up to 30% faster than normal baking.

The Power Plus™ High-Output Sealed Burner System provides all the heat you need including a 16,000 BTU burner with up to 59% more heat than our standard burner. Our Deep Sump cooktop combined with Continuous Grates that are flush with your countertop make it easy to slide even the heaviest stock pot off of the cooktop and make the cooking surface easier to clean.

For the smartest thinking in built-in cooking, Frigidaire® leads the way.

KEY FEATURES



Power Plus™ High-Output Sealed Burners offer a wide range of heating output for larger pot and pan sizes. The 16,000 BTU burner serves up 59% more output than our standard (9,500 BTU) burner, the 14,000 BTU burner has 47% more, and the 12,000 BTU burner has 26% more.



Extra-Large Visualite® Window with Clear Glass is 87% larger than our standard window. The large viewing area allows the cook to check progress without opening the oven door. (Available with select high-end models.)



Warm & Serve® Drawer is designed to keep "HOT" foods hot for serving at your convenience. Suitable for prepared dinner plates, warm breads and pastries, pies and other warm desserts. (Available with select high-end models.)



Deep Sump Cooktop with Continuous Grate System creates an expanded, countertop-level cooking surface for using oversized cookware. The low-profile grates help make accessibility and maneuverability of heavy pots easier when lifting and sliding.



SpeedBake® Convection System is initiated at the touch of a switch, and is designed to deliver premium performance at a modest price, as well as being up to 30% faster!



Speed Clean/Maxx Clean™ offers 2 special cleaning options. Speed Clean, for light soils is 33% faster and Maxx Clean™, for heavy soils provides 25% more cleaning power.



EvenCook^{1™} Element Convection System creates the ultimate cooking airflow. Cooking times are up to 30% shorter and foods are juicier and more evenly browned. The European design, with a 3rd element surrounding the fan, helps eliminate temperature fluctuations and delivers excellent multiple rack cooking performance.



Star-K Kosher Certification is given to select oven models that feature the Sabbath mode in keeping with kosher cooking practices during the observance of the Sabbath and holidays.

Professional & Gallery Series®

Dual Fuels



PLCS389E C

- 4.2 Cu. Ft. Electric Self-Cleaning Oven with Auto-Latch™ Safety Lock
- EasySet™ 510 Electronic Oven Control with Keypad Entry and Integrated Warmer Drawer Control
- EasyCare™ Genuine Stainless Steel
- Stainless Steel Control Panel
- Slim-Profile, Stainless Steel Door with Extra-Large, Clear Glass Visualite® Window
- Professional-Style Stainless Steel Handles
- Deep Sump, Black Porcelain Cooktop
- 1 - 16,000 BTU Power Plus™ Burner
- 1 - 14,000 BTU Power Burner
- 1 - 9,500 BTU Burner
- 1 - 5,000 BTU Burner with 675 BTU Low Simmer
- Full-Surface, 3-Piece, Cast Iron Grates and Caps with Pro Matte Finish
- Convection Convert
- Speed Clean/Maxx Clean™
- EvenCook3™ Element Convection System
- Dual Radiant™ Baking System
- 3400W Bake/2750W Broil
- Vari-Broil™ - 400° to 550°
- Hidden Bake Element
- 3 Heavy-Duty and 1 Convection Roasting Racks
- 2 Oven Lights (Automatic & Integrated)
- 1.6 Cu. Ft. Warm & Serve® Drawer with Half Rack, Stainless Steel Drawer Front and Handle
- Electronic Clock/Countdown Timer
- Sabbath Mode (Star-K Certified)



GLCS389E S/Q/B

- 4.2 Cu. Ft. Electric Self-Cleaning Oven with Auto-Latch™ Safety Lock
- EasySet™ 510 Electronic Oven Control with Keypad Entry and Integrated Warmer Drawer Control
- Color-Coordinated Control Panel
- Slim-Profile, Color-Coordinated Glass Door with Large, Clear Glass Visualite® Window
- Color-Coordinated UltraSoft™ Handles
- Deep Sump, Color-Coordinated Porcelain Cooktop
- 1 - 16,000 BTU Power Plus™ Burner
- 1 - 14,000 BTU Power Burner
- 1 - 9,500 BTU Burner
- 1 - 5,000 BTU Burner with 675 BTU Low Simmer
- Full-Surface, 3-Piece, Cast Iron Grates and Caps
- Convection Convert
- Speed Clean/Maxx Clean™
- EvenCook3™ Element Convection System
- Dual Radiant™ Baking System
- 3400W Bake/2750W Broil
- Vari-Broil™ - 400° to 550°
- Hidden Bake Element
- 3 Heavy-Duty and 1 Convection Roasting Racks
- 2 Oven Lights (Automatic & Integrated)
- 1.6 Cu. Ft. Warm & Serve® Drawer with Half Rack, Color-Coordinated Porcelain Drawer Front and Handle
- Electronic Clock/Countdown Timer
- Sabbath Mode (Star-K Certified)
- Available in White, Bisque or Black

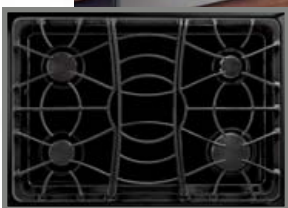
Frigidaire®

Dual Fuels



FCS367E C

- 4.2 Cu. Ft. Electric Self-Cleaning Oven with Auto-Latch™ Safety Lock
- EasySet™ 350 Electronic Oven Control
- EasyCare™ Genuine Stainless Steel
- Stainless Steel Control Panel
- Slim-Profile, Stainless Steel Door with Extra-Large, Clear Glass Visualite® Window
- Stainless Steel Towel-Bar Handles
- Deep Sump, Black Porcelain Cooktop
- 1 - 16,000 BTU Power Plus™ Burner
- 1 - 12,000 BTU Power Burner
- 1 - 9,500 BTU Burner
- 1 - 5,000 BTU Burner with 675 BTU Low Simmer
- Full-Surface, 3-Piece, Cast Iron Grates and Caps with Matte Finish
- Speed Clean
- SpeedBake® Convection System
- Dual Radiant™ Baking System
- 3400W Bake/2750W Broil
- Vari-Broil™ - 2 Position (Hi/Lo)
- 2 Oven Racks
- Oven Light (Automatic & Integrated)
- Storage Drawer with Extendable Glides, Stainless Steel Drawer Front and Handle
- Electronic Clock/Countdown Timer



FCS366E C

- 4.2 Cu. Ft. Electric Self-Cleaning Oven with Auto-Latch™ Safety Lock
- EasySet™ 350 Electronic Oven Control
- EasyCare™ Genuine Stainless Steel
- Stainless Steel Control Panel
- Slim-Profile, Stainless Steel Door with Extra-Large, Clear Glass Visualite® Window
- Black UltraSoft™ Handles
- Deep Sump, Black Porcelain Cooktop
- 1 - 16,000 BTU Power Plus™ Burner
- 1 - 12,000 BTU Power Burner
- 1 - 9,500 BTU Burner
- 1 - 5,000 BTU Burner with 675 BTU Low Simmer
- Full-Surface, 3-Piece, Cast Iron Grates and Caps with Matte Finish
- Speed Clean
- SpeedBake® Convection System
- Dual Radiant™ Baking System
- 3400W Bake/2750W Broil
- Vari-Broil™ - 2 Position (Hi/Lo)
- 2 Oven Racks
- Oven Light (Automatic & Integrated)
- Storage Drawer with Extendable Glides, Stainless Steel Drawer Front and Handle
- Electronic Clock/Countdown Timer

Also Available:

FCS366E S/B

(Available in white or black with same features as FCS366E C)

- Color-Coordinated Control Panel
- Color-Coordinated Glass Door with Large, Clear Glass Visualite® Window
- Color-Coordinated UltraSoft™ Handle
- Deep Sump, Color-Coordinated Porcelain Cooktop
- Full-Surface, 3-Piece, Cast Iron Grates and Caps
- Storage Drawer with Extendable Glides, Color-Coordinated Porcelain Drawer Front and Integrated Handle







Electric Slide-In / Drop-In Ranges

Today as always, Frigidaire® innovation leads the home appliance industry. Our ingenuity anticipates consumer demand, delivering products of exceptional performance, convenience and style. From saving time to saving energy, Frigidaire® embodies the cutting edge of appliance design.

Frigidaire® Electric Ranges feature the QuadMaxx™ ceramic smoothtop cooking surface. This industry exclusive features four expandable burners for the ultimate in cooking flexibility. Precision Set™ Surface Controls enable precise control from simmer to boil and everything in between.

Two oven lights enhance your visibility while a 1.6 cu.ft. Warm & Serve® Drawer is your assurance that your entire meal will be served hot and tasty. And, a Storage Drawer with fully extendable glides makes access to stored items easy and convenient.

KEY FEATURES



Precision Set™ Surface Controls bring the latest innovation in the industry to electric surface cooking, enabling precise and accurate control from simmer, warm to boil and everything in between.



Hidden Bake Element is the lower heating element protected by a porcelain plate with a tapered front, which helps ensure quick and safe cleanup.



QuadMaxx™ is a ceramic, smoothtop cooking surface featuring four expandable burners, providing just the right amount of heat to fit a wide variety of pot or pan sizes for extreme flexibility.



Warm & Serve® Drawer is designed to keep "HOT" foods hot for serving at your convenience. Suitable for prepared dinner plates, warm breads and pastries, pies and other warm desserts. (Available with select high-end models.)



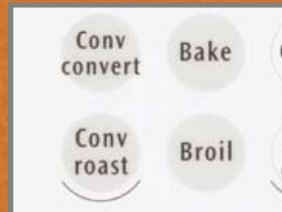
Extra-Large Visualite® Window with Clear Glass is 87% larger than our standard window. The large viewing area allows the cook to check progress without opening the oven door. (Available with select high-end models.)



Speed Clean/Maxx Clean™ offers 2 special cleaning options. Speed Clean, for light soils is 33% faster and Maxx Clean™, for heavy soils provides 25% more cleaning power.



SpeedBake® Convection System is initiated at the touch of a switch, and is designed to deliver premium performance at a modest price, as well as being up to 30% faster!



Convection Convert automatically converts and displays new convection cooking temperature, eliminating the guesswork.



EvenCook3™ Element Convection System creates the ultimate cooking airflow. Cooking times are up to 30% shorter and foods are juicier and more evenly browned. The European design, with a 3rd element surrounding the fan, helps eliminate temperature fluctuations and delivers excellent multiple rack cooking performance.



Star-K Kosher Certification is given to select oven models that feature the Sabbath mode in keeping with kosher cooking practices during the observance of the Sabbath and holidays.

Professional Series®

Electric Smoothtops



PLES399E C

- 4.2 Cu. Ft. Self-Cleaning Oven with Auto-Latch™ Safety Lock
- EasySet™ 510 Electronic Oven Control with Keypad Entry and Integrated Warmer Drawer Control
- EasyCare™ Genuine Stainless Steel
- Stainless Steel Control Panel
- Slim-Profile, Stainless Steel Door with Extra-Large, Clear Glass Visualite® Window
- Professional-Style Stainless Steel Handles
- Ceramic Smoothtop Cooking Surface
- 1-7"/7" Bridge Element
- 1-9" to 12" Expandable Element
- 1-6" Radiant Element
- 4 Hot-Surface Indicator Lights
- Precision Set™ Electronic Surface Element Controls
- Convection Convert
- Speed Clean/Maxx Clean™
- EvenCook3™ Element Convection System
- Dual Radiant™ Baking System
- 3400W Bake/2750W Broil
- Vari-Broil™ - 400° to 550°
- Hidden Bake Element
- 3 Heavy-Duty and 1 Convection Roasting Racks
- 2 Oven Lights (Automatic & Integrated)
- 1.6 Cu. Ft. Warm & Serve® Drawer with Half Rack, Stainless Steel Drawer Front and Handle
- Electronic Clock/Countdown Timer
- Sabbath Mode (Star-K Certified)



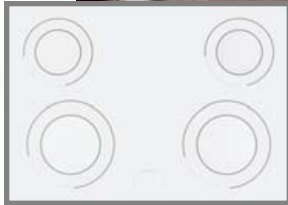
PLES389E C

- 4.2 Cu. Ft. Self-Cleaning Oven with Auto-Latch™ Safety Lock
- EasySet™ 510 Electronic Oven Control with Keypad Entry and Integrated Warmer Drawer Control
- EasyCare™ Genuine Stainless Steel
- Stainless Steel Control Panel
- Slim-Profile, Stainless Steel Door with Extra-Large, Clear Glass Visualite® Window
- Professional-Style Stainless Steel Handles
- Ceramic Smoothtop Cooking Surface
- QuadMaxx™ Expandable Elements
- 2-5" to 7" Expandable Elements
- 2-6" to 9" Expandable Elements
- 4 Hot-Surface Indicator Lights
- Precision Set™ Electronic Surface Element Controls
- Convection Convert
- Speed Clean/Maxx Clean™
- EvenCook3™ Element Convection System
- Dual Radiant™ Baking System
- 3400W Bake/2750W Broil
- Vari-Broil™ - 400° to 550°
- Hidden Bake Element
- 3 Heavy-Duty and 1 Convection Roasting Racks
- 2 Oven Lights (Automatic & Integrated)
- 1.6 Cu. Ft. Warm & Serve® Drawer with Half Rack, Stainless Steel Drawer Front and Handle
- Electronic Clock/Countdown Timer
- Sabbath Mode (Star-K Certified)



Gallery Series® & Frigidaire®

Electric Smoothtops



GLE389E S/Q/B

- 4.2 Cu. Ft. Self-Cleaning Oven with Auto-Latch™ Safety Lock
- EasySet™ 510 Electronic Oven Control with Keypad Entry and Integrated Warmer Drawer Control
- Color-Coordinated Control Panel
- Slim-Profile, Color-Coordinated Glass Door with Large, Clear Glass Visualite® Window
- Color-Coordinated UltraSoft™ Handles
- ColorMatch™ Ceramic Smoothtop Cooking Surface
- QuadMaxx™ Expandable Elements
- 2-5" to 7" Expandable Elements
- 2-6" to 9" Expandable Elements
- 4 Hot-Surface Indicator Lights
- Precision Set™ Electronic Surface Element Controls
- Convection Convert
- Speed Clean/Maxx Clean™
- EvenCook3™ Element Convection System
- Dual Radiant™ Baking System
- 3400W Bake/2750W Broil
- Vari-Broil™ - 400° to 550°
- Hidden Bake Element
- 3 Heavy-Duty and 1 Convection Roasting Racks
- Oven Light (Automatic & Integrated)
- 1.6 Cu. Ft. Warm & Serve® Drawer with Half Rack, Color-Coordinated Porcelain Drawer Front and Handle
- Electronic Clock/Countdown Timer
- Sabbath Mode (Star-K Certified)
- Available in White, Bisque or Black



FES367E C

- 4.2 Cu. Ft. Self-Cleaning Oven with Auto-Latch™ Safety Lock
- EasySet™ 350 Electronic Oven Control
- EasyCare™ Genuine Stainless Steel
- Stainless Steel Control Panel
- Slim-Profile, Stainless Steel Door with Extra-Large, Clear Glass Visualite® Window
- Stainless Steel Towel-Bar Handles
- Ceramic Smoothtop Cooking Surface
- 1-6" to 9" Expandable Element
- 1-9" Radiant Element
- 2-6" Radiant Elements
- Hot-Surface Indicator Light
- Speed Clean
- SpeedBake® Convection System
- Dual Radiant™ Baking System
- 3400W Bake/2750W Broil
- Vari-Broil™ - 2 Position (Hi/Lo)
- 2 Oven Racks
- Oven Light (Automatic & Integrated)
- Storage Drawer with Extendable Glides, Stainless Steel Drawer Front and Handle



Frigidaire®

Electric Smoothtops



FES366E C

- 4.2 Cu. Ft. Self-Cleaning Oven with Auto-Latch™ Safety Lock
- EasySet™ 350 Electronic Oven Control
- EasyCare™ Genuine Stainless Steel
- Stainless Steel Control Panel
- Slim-Profile, Stainless Steel Door with Extra-Large, Clear Glass Visualite® Window
- Black UltraSoft™ Handles
- Ceramic Smoothtop Cooking Surface
- 1-6" to 9" Expandable Element
- 1-9" Radiant Element
- 2-6" Radiant Elements
- Hot-Surface Indicator Light
- Speed Clean
- SpeedBake® Convection System
- Dual Radiant™ Baking System
- 3400W Bake/2750W Broil
- Vari-Broil™ -2 Position (Hi/Lo)
- 2 Oven Racks
- Oven Light (Automatic & Integrated)
- Storage Drawer with Extendable Glides, Stainless Steel Drawer Front and Handle



FES366E S/Q/B

- 4.2 Cu. Ft. Self-Cleaning Oven with Auto-Latch™ Safety Lock
- EasySet™ 350 Electronic Oven Control
- Color-Coordinated Control Panel
- Slim-Profile, Color-Coordinated Glass Door with Large, Clear Glass Visualite® Window
- Color-Coordinated UltraSoft™ Handle
- ColorMatch™ Ceramic Smoothtop Cooking Surface
- 1-6" to 9" Expandable Element
- 1-9" Radiant Element
- 2-6" Radiant Elements
- Hot-Surface Indicator Light
- Speed Clean
- SpeedBake® Convection System
- Dual Radiant™ Baking System
- 3400W Bake/2750W Broil
- Vari-Broil™ -2 Position (Hi/Lo)
- 2 Oven Racks
- Oven Light (Automatic & Integrated)
- Storage Drawer with Extendable Glides, Color-Coordinated Porcelain Drawer Front and Integrated Handle
- Available in White, Bisque or Black



Frigidaire®

Electric Smoothtops



FES365E C

- 4.2 Cu. Ft. Self-Cleaning Oven with Auto-Latch™ Safety Lock
- EasySet™ 300 Electronic Oven Control
- Black Control Panel
- Slim-Profile, Stainless Steel Door with Extra-Large, Clear Glass Visualite® Window
- Black UltraSoft™ Handles
- Ceramic Smoothtop Cooking Surface
- 1 -6" to 9" Expandable Element
- 1 -8" Radiant Element
- 2 -6" Radiant Elements
- Hot-Surface Indicator Light
- Dual Radiant™ Baking System
- 3400W Bake/2750W Broil
- Vari-Broil™ -2 Position (Hi/Lo)
- 2 Oven Racks
- Oven Light (Automatic & Rocker Switch)
- Storage Drawer with Stainless Steel Drawer Front and Handle



FES365E S/Q/B

- 4.2 Cu. Ft. Self-Cleaning Oven with Auto-Latch™ Safety Lock
- EasySet™ 300 Electronic Oven Control
- Color-Coordinated Control Panel
- Slim-Profile, Color-Coordinated Glass Door with Large, Clear Glass Visualite® Window
- Color-Coordinated UltraSoft™ Handle
- ColorMatch™ Ceramic Smoothtop Cooking Surface
- 1 -6" to 9" Expandable Element
- 1 -8" Radiant Element
- 2 -6" Radiant Elements
- Hot-Surface Indicator Light
- Dual Radiant™ Baking System
- 3400W Bake/2750W Broil
- Vari-Broil™ -2 Position (Hi/Lo)
- 2 Oven Racks
- Oven Light (Automatic & Rocker Switch)
- Storage Drawer with Color-Coordinated Porcelain Drawer Front and Integrated Handle
- Available in White, Bisque or Black



FED365E S/Q/B

Drop-In Style

Frigidaire®

Electric Coil Tops



FES355E S/B

- 4.2 Cu. Ft. Self-Cleaning Oven with Auto-Latch™ Safety Lock
- EasySet™ 300 Electronic Oven Control
- Color-Coordinated Control Panel
- Slim-Profile, Color-Coordinated Glass Door with Large, Clear Glass Visualite® Window
- Color-Coordinated UltraSoft™ Handle
- Porcelain Lift-Up Cooktop with Support Rod
- Clean Sweep™ Porcelain Subtop
- 2-8" High-Watt Coil Elements
- 2-6" High-Watt Coil Elements
- Chrome Drip Bowls
- Dual Radiant™ Baking System
- 3400W Bake/2750W Broil
- Vari-Broil™ - 2 Position (Hi/Lo)
- 2 Oven Racks
- Oven Light (Automatic & Rocker Switch)
- Storage Drawer with Color-Coordinated Porcelain Drawer Front and Integrated Handle
- Available in White or Black



FED355E S/B

Drop-In Style



FES300E S/B

- 4.2 Cu. Ft. Manual-Clean Oven with Auto-Latch™ Safety Lock
- EasySet™ 100 Electronic Oven Control
- Color-Coordinated Control Panel
- Slim-Profile, Color-Coordinated Steel Door with Clear Glass Visualite® Window
- Color-Coordinated UltraSoft™ Handle
- Porcelain Lift-Up Cooktop with Support Rod
- Clean Sweep™ Porcelain Subtop
- 2-8" High-Watt Coil Elements
- 2-6" High-Watt Coil Elements
- Chrome Drip Bowls
- Dual Radiant™ Baking System
- 3000W Bake/2750W Broil
- 2 Oven Racks
- Oven Light (Rocker Switch)
- Storage Drawer with Color-Coordinated Porcelain Drawer Front and Integrated Handle
- Available in White or Black



FED300E S

Drop-In Style

All-Gas Slide-In Ranges

Today as always, Frigidaire® innovation leads the home appliance industry. Our ingenuity anticipates consumer demand, delivering products of exceptional performance, convenience and style. From saving time to saving energy, Frigidaire® embodies the cutting edge of appliance design.

When it comes to gas ranges, nothing says innovation and convenience like Frigidaire®. Our four-burner, deep sump cooktops make cleanup a snap, while Continuous Grates that are flush with your countertop make sliding, instead of lifting, heavy pots an option.

The Power Plus™ High-Output Sealed Burner System provides all the heat you need. Meanwhile, our SpeedBake® Convection System delivers maximum performance in 30% less time than normal baking.

Oven cleaning is fast, efficient and flexible. For maximum cleaning power, Maxx Clean™ increases cleaning strength by 25%. And when only light cleaning is necessary, Speed Clean reduces cleaning time by 33%.

At Frigidaire®, it's all about making products that make life more convenient.

KEY FEATURES



Warm & Serve® Drawer is designed to keep "HOT" foods hot for serving at your convenience. Suitable for prepared dinner plates, warm breads and pastries, pies and other warm desserts. (Available with select high-end models.)



Deep Sump Cooktop with Continuous Grate System creates an expanded, countertop-level cooking surface for using oversized cookware. The low-profile grates help make accessibility and maneuverability of heavy pots easier when lifting and sliding.



Extra-Large Visualite® Window with Clear Glass is 87% larger than our standard window. The large viewing area allows the cook to check progress without opening the oven door. (Available with select high-end models.)



SpeedBake® Convection System is initiated at the touch of a switch, and is designed to deliver premium performance at a modest price, as well as being up to 30% faster!



Speed Clean/Maxx Clean™ offers 2 special cleaning options. Speed Clean, for light soils is 33% faster and Maxx Clean™, for heavy soils provides 25% more cleaning power.



Convection Convert automatically converts and displays new convection cooking temperature, eliminating the guesswork.



Power Plus™ High-Output Sealed Burners offer a wide range of heating output for larger pot and pan sizes. The 16,000 BTU burner serves up 59% more output than our standard (9,500 BTU) burner, the 14,000 BTU burner has 47% more, and the 12,000 BTU burner has 26% more.



Star-K Kosher Certification is given to select oven models that feature the Sabbath mode in keeping with kosher cooking practices during the observance of the Sabbath and holidays.

Professional & Gallery Series®

All Gas



PLGS389E C

- 4.2 Cu. Ft., All-Gas Self-Cleaning Oven with Auto-Latch™ Safety Lock
- EasySet™ 510 Electronic Oven Control with Keypad Entry and Integrated Warmer Drawer Control
- EasyCare™ Genuine Stainless Steel
- Stainless Steel Control Panel
- Slim-Profile, Stainless Steel Door with Extra-Large, Clear Glass Visualite® Window
- Professional-Style Stainless Steel Handles
- Deep Sump, Black Porcelain Cooktop
- 1 - 16,000 BTU Power Plus™ Burner
- 1 - 14,000 BTU Power Burner
- 1 - 9,500 BTU Burner
- 1 - 5,000 BTU Burner with 675 BTU Low Simmer
- Full-Surface, 3-Piece, Cast Iron Grates and Caps with Pro Matte Finish
- Convection Convert
- Speed Clean/Maxx Clean™
- EvenCook3™ Element Convection System
- All-Gas Baking System
- 18,000 BTU Bake/ 14,000 BTU Broil
- Vari-Broil™ - 400° to 550°
- 3 Heavy-Duty and 1 Convection Roasting Racks
- 2 Oven Lights (Automatic & Integrated)
- 1.4 Cu. Ft. Warm & Serve® Drawer with Half Rack, Stainless Steel Drawer Front and Handle
- Electronic Clock/Countdown Timer
- Sabbath Mode (Star-K Certified)



GLGS389E S/Q/B

- 4.2 Cu. Ft., All-Gas Self-Cleaning Oven with Auto-Latch™ Safety Lock
- EasySet™ 510 Electronic Oven Control with Keypad Entry and Integrated Warmer Drawer Control
- Color-Coordinated Control Panel
- Slim-Profile, Color-Coordinated Glass Door with Large, Clear Glass Visualite® Window
- Color-Coordinated UltraSoft™ Handles
- Deep Sump, Color-Coordinated Porcelain Cooktop
- 1 - 16,000 BTU Power Plus™ Burner
- 1 - 14,000 BTU Power Burner
- 1 - 9,500 BTU Burner
- 1 - 5,000 BTU Burner with 675 BTU Low Simmer
- Full-Surface, 3-Piece, Cast Iron Grates and Caps
- Convection Convert
- Speed Clean/Maxx Clean™
- EvenCook3™ Element Convection System
- All-Gas Baking System
- 18,000 BTU Bake/ 14,000 BTU Broil
- Vari-Broil™ - 400° to 550°
- 3 Heavy-Duty and 1 Convection Roasting Racks
- 2 Oven Lights (Automatic & Integrated)
- 1.4 Cu. Ft. Warm & Serve® Drawer with Half Rack, Color-Coordinated Porcelain Drawer Front and Handle
- Electronic Clock/Countdown Timer
- Sabbath Mode (Star-K Certified)
- Available in White, Bisque or Black

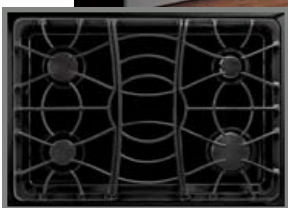
Frigidaire®

All Gas



FGS367E C

- 4.2 Cu. Ft., All-Gas Self-Cleaning Oven with Auto-Latch™ Safety Lock
- EasySet™ 350 Electronic Oven Control
- EasyCare™ Genuine Stainless Steel
- Stainless Steel Control Panel
- Slim-Profile, Stainless Steel Door with Extra-Large, Clear Glass Visualite® Window
- Stainless Steel Towel-Bar Handles
- Deep Sump, Black Porcelain Cooktop
- 1 - 16,000 BTU Power Plus™ Burner
- 1 - 12,000 BTU Power Burner
- 1 - 9,500 BTU Burner
- 1 - 5,000 BTU Burner with 675 BTU Low Simmer
- Full-Surface, 3-Piece, Cast Iron Grates and Caps with Matte Finish
- Speed Clean
- SpeedBake® Convection System
- All-Gas Baking System
- 18,000 BTU Bake/ 14,000 BTU Broil
- Vari-Broil™ -2 Position (Hi/Lo)
- 2 Oven Racks
- Oven Light (Automatic & Integrated)
- Storage Drawer with Extendable Glides, Stainless Steel Drawer Front and Handle
- Electronic Clock/Countdown Timer



FGS366E C

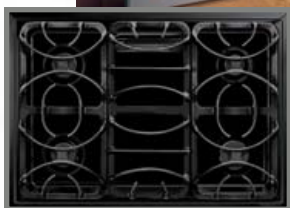
- 4.2 Cu. Ft., All-Gas Self-Cleaning Oven with Auto-Latch™ Safety Lock
- EasySet™ 350 Electronic Oven Control
- EasyCare™ Genuine Stainless Steel
- Stainless Steel Control Panel
- Slim-Profile, Stainless Steel Door with Extra-Large, Clear Glass Visualite® Window
- Black UltraSoft™ Handles
- Deep Sump, Black Porcelain Cooktop
- 1 - 16,000 BTU Power Plus™ Burner
- 1 - 12,000 BTU Power Burner
- 1 - 9,500 BTU Burner
- 1 - 5,000 BTU Burner with 675 BTU Low Simmer
- Full-Surface, 3-Piece, Cast Iron Grates and Caps with Matte Finish
- Speed Clean
- SpeedBake® Convection System
- All-Gas Baking System
- 18,000 BTU Bake/ 14,000 BTU Broil
- Vari-Broil™ -2 Position (Hi/Lo)
- 2 Oven Racks
- Oven Light (Automatic & Integrated)
- Storage Drawer with Extendable Glides, Stainless Steel Drawer Front and Handle
- Electronic Clock/Countdown Timer





FGS366E S/Q/B

- 4.2 Cu. Ft., All-Gas Self-Cleaning Oven with Auto-Latch™ Safety Lock
- EasySet™ 350 Electronic Oven Control
- Color-Coordinated Control Panel
- Slim-Profile, Color-Coordinated Glass Door with Large, Clear Glass Visualite® Window
- Color-Coordinated UltraSoft™ Handle
- Deep Sump, Color-Coordinated Porcelain Cooktop
- 1 - 16,000 BTU Power Plus™ Burner
- 1 - 12,000 BTU Power Burner
- 1 - 9,500 BTU Burner
- 1 - 5,000 BTU Burner with 675 BTU Low Simmer
- Full-Surface, 3-Piece, Cast Iron Grates and Caps
- Speed Clean
- SpeedBake® Convection System
- All-Gas Baking System
- 18,000 BTU Bake/ 14,000 BTU Broil
- Vari-Broil™ - 2 Position (Hi/Lo)
- 2 Oven Racks
- Oven Light (Automatic & Integrated)
- Storage Drawer with Extendable Glides, Color-Coordinated Porcelain Drawer Front and Integrated Handle
- Electronic Clock/Countdown Timer
- Available in White, Bisque or Black



FGS365E C

- 4.2 Cu. Ft., All-Gas Self-Cleaning Oven with Auto-Latch™ Safety Lock
- EasySet™ 300 Electronic Oven Control
- Black Control Panel
- Slim-Profile, Stainless Steel Door with Extra-Large, Clear Glass Visualite® Window
- Black UltraSoft™ Handles
- Black Porcelain Cooktop
- 1 - 12,000 BTU Power Burner
- 2 - 9,500 BTU Burners
- 1 - 5,000 BTU Burner with 675 BTU Low Simmer
- Full-Surface, 3-Piece, Cast Iron Grates and Caps with Matte Finish
- All-Gas Baking System
- 18,000 BTU Bake/ 14,000 BTU Broil
- Vari-Broil™ - 2 Position (Hi/Lo)
- 2 Oven Racks
- Oven Light (Automatic & Rocker Switch)
- Storage Drawer with Stainless Steel Drawer Front and Handle
- Electronic Clock/Countdown Timer

Also Available:

FGS365E S/Q/B

(Available in white, bisque or black with same features as FGS365E C)

- Color-Coordinated Control Panel
- Color-Coordinated Glass Door with Large, Clear Glass Visualite® Window and UltraSoft™ Handle
- Color-Coordinated Porcelain Cooktop
- Full-Surface, 3-Piece, Cast Iron Grates and Caps
- Storage Drawer with Color-Coordinated Porcelain Drawer Front and Integrated Handle

Control Panels



EasySet™ 100

- Electronic oven controls with clock and timer
- Vari-Broil™ – low and high setting



EasySet™ 300

Adds:

- Delayed cook and clean options
- Preheat indicator
- Oven Lockout – locks oven controls and oven door when oven is not in operation



EasySet™ 350

Adds:

- Speed Clean – 33% faster cleaning for light soils
- Speed Bake Convection
- Keep Warm Setting
- Integrated oven light switch on control panel



EasySet™ 510

Adds:

- 10-key Touch Pad – for direct data entry
- Maxx Clean™ – 25% more cleaning strength for heavy soils
- EvenCook³™ Third Element Convection – Convection, Bake and Broil
- Convection Convert – enter existing recipe temperature/time, converts and displays new temperature/time for convection cooking
- Vari-Broil™ – select temperature setting from 400° to 550°
- Sabbath Mode

Accessories



5304433208

18-Oz. Cerama Bryte Cooktop Cleaner

Remove stubborn stains from your glass cooktop with Cerama Bryte cooktop cleaner. Cerama Bryte works hard to remove baked-on food stains and spills without scratching or marring your appliance's finish.



5304433275

16-Oz. Stainless Steel Appliance Cleaner

To preserve the beautiful look of your appliances for years to come, try our nonabrasive kitchen cleaners. Our stainless steel cleaner provides superior protection and guards against smudges. Its spray trigger is designed to cover larger surfaces.



5304433278

Glass & Ceramic Cooktop Scraper

The scraper assists in removing burned-on food from glass and ceramic cooktops. It's great for cleaning hard-to-remove stains without scratching ceramic and glass cooktops. Its easy-to-grip handle makes cleaning safe and easy.



5304434804

Nonabrasive Microfiber Sponge

Make cleanup a breeze with our microfiber sponge. Soft, nonabrasive microfiber won't mar the finish on your products. Microfiber sponge gently and effectively wipes away tough stains. Toss in the washing machine to freshen up.



GMBLUEC, GMREDEC, GMGRNEC, GMBLKEC

Kitchen Grips

Protect your family and yourself from dangerous scalds or burns with these revolutionary oven mitts and potholders. Constructed of a new material that is stain-free, impermeable to liquids, and resistant to heat up to 500 degrees. Mitt can be used on the left or right hand.



HRTHKIT17, HRTHKIT19, HRTHKIT21

Hearth Kit

Give your regular oven qualities of an old world masonry hearth with our Hearth Kit. Its all-natural ceramic material absorbs, concentrates, and releases heat the same way a brick oven does. The outside of the food is seared to hold in moisture while the inside cooks evenly and quickly. Available in 17", 19" and 21" widths.



5305514147

Safety+Plus Range Gas Connector 5/8" O.D. x 4'

Safety+Plus shuts off the gas supply to the appliance in the event of a catastrophic leak in the connection. Automatically resets, resuming appliance performance and continued protection. Includes everything to connect your gas range to your gas shut-off valve.



53090-1054

3-Wire, 40 Amp, 6' Range Cord

Heavy-duty, UL-approved 40 and 50 amperage ratings. Easy and safe to hook up. Fits most major manufacturer's brands.

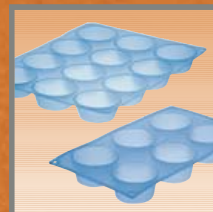
Silicone Bakeware

Produce beautiful, well-formed baked goods every time with our nonstick silicone bakeware. Its nonstick finish means flawless food release, plus you'll save energy by using up to 30% less cooking time. It can withstand up to 3000+ baking cycles, temperatures ranging from -40°F to 528°F and can go from oven to microwave to freezer without cracking or splitting apart. Another great benefit is that it's easy to clean, dishwasher safe and flexible for easy storage.



SILMUF6B

Muffin/Bundt Bundle



SILMUF12, SILMUF6

12-Cup Muffin Pan 6-Cup Muffin Pan



SILLOAF, SILBUNDT1, SILSHEET

Loaf Pan Bundt Pan Cookie Sheet

DUAL-FUEL SLIDE-IN RANGES

Models	PLCS389EC	GLCS389E	FCS367EC	FCS366EC	FCS366E
Series	Professional	Gallery	Frigidaire	Frigidaire	Frigidaire
Control Panel Features					
EasySet™ Electronic Oven Control	ES510	ES510	ES350	ES350	ES350
Keypad Entry of Time & Temperature	*	*			
Icons, Dual Display & Word Prompting	*	*			
Electronic Clock/Timer/Temperature Display	*	*	*	*	*
Automatic Oven (Delay, Cook & Off)	*	*	*	*	*
Automatic Oven Shut-Off (12 hour)	*	*	*	*	*
F° or C° Programmable	*	*	*	*	*
Convection Conversion	*	*	*	*	*
Speed Clean	*	*	*	*	*
Maxx Clean™	*	*			*
Sabbath Mode (Star-K Certified)	*	*			*
Integrated Warmer Drawer	*	*			*
Child Lockout Controls	*	*	*	*	*
Cooktop Features					
Deep Sump Porcelain Cooktop	Black	Color-Coordinated	Black	Black	Color-Coordinated
16,000 BTU Sealed Power Plus™ Burner					
14,000 BTU Sealed Power Burner					
12,000 BTU Sealed Power Burner					
9,500 BTU Sealed Burner					
5,000 BTU Low Simmer Sealed Burner					
Full-Surface Continuous Grates	Pro Matte	Gloss	Matte	Matte	Gloss
Linear Flow Burner Valves (270°)	*	*	*	*	*
Electronic Pilotless Ignition	*	*	*	*	*
Oven Features					
EvenCook ^{3™} Convection System	*	*	*	*	*
SpeedBake [®] Convection System	*	*	*	*	*
Electric Self-Cleaning Oven w/Auto-Latch™ Safety Lock	*	*	*	*	*
Dual Radiant™ Baking System	*	*	*	*	*
Vari-Broil™ Temperature Control	400°-550°	400°-550°	Hi/Lo	Hi/Lo	Hi/Lo
Six-Pass Broil Element	*	*	*	*	*
Hidden Bake Element	*	*	*	*	*
Interior Oven Lighting	2 (Automatic/Integrated)	2 (Automatic/Integrated)	1 (Automatic/Integrated)	1 (Automatic/Integrated)	1 (Automatic/Integrated)
Porcelain Broiler Pan	*	*	*	*	*
Heavy-Duty Oven Racks	3	3			
Conventional Oven Racks			2	2	2
Convection Roasting Rack					
Oven Door Style					
Removable Window Door	Stainless Steel	Color-Coordinated Glass	Stainless Steel	Stainless Steel	Color-Coordinated Glass
Door Handle	Pro Stainless Steel	C.C. UltraSoft™	Stainless Steel Towel Bar	Black UltraSoft™	C.C. UltraSoft™
Visualite® Window	Extra Large	Large	Extra Large	Extra Large	Large
Drawer Features					
Warm & Serve® Drawer (1.6 Cu. Ft.)	Stainless Steel	Color-Coordinated Porcelain			
Removable Storage Drawer			Stainless Steel	Stainless Steel	Color-Coordinated Porcelain
Drawer Handle	Pro Stainless Steel	C.C. UltraSoft™	Stainless Steel Towel Bar	Black UltraSoft™	Integrated
Extendable Drawer Glides	*	*	*	*	*
Color/UPC (0-57112-)					
Stainless Steel - Black (C)	09057-3		09053-5	09052-8	
White-on-White (S)		09054-2			09050-4
Bisque-on-Bisque (Q)		09055-9			
Black-on-Black (B)		09056-6			09051-1
Specifications					
Oven Capacity	4.2 Cu. Ft.	4.2 Cu. Ft.	4.2 Cu. Ft.	4.2 Cu. Ft.	4.2 Cu. Ft.
Interior Oven Dimensions (WxHxD)	24-1/8" x 16-1/2" x 18-1/32"	24-1/8" x 16-1/2" x 18-1/32"	24-1/8" x 16-1/2" x 18-1/32"	24-1/8" x 16-1/2" x 18-1/32"	24-1/8" x 16-1/2" x 18-1/32"
Product Weight	190 Lbs.	190 Lbs.	185 Lbs.	185 Lbs.	185 Lbs.
Shipping Weight (Approx.)	210 Lbs.	210 Lbs.	205 Lbs.	205 Lbs.	205 Lbs.
Connected Load (kW Rating) 240/208 Volts	4.1/3.08	4.1/3.08	4.1/3.08	4.1/3.08	4.1/3.08
Amps @ 240/208 Volts	17.1/14.8	17.1/14.8	17.1/14.8	17.1/14.8	17.1/14.8
Bake Element Wattage 240/208 Volts	3400	3400	3400	3400	3400
Broil Element Wattage 240/208 Volts	2750	2750	2750	2750	2750
Convection Element Wattage	350	350			
Minimum Circuit Required - Amps*	30	30	30	30	30
LP Conversion Kit	Included	Included	Included	Included	Included
Requires 40 Amp Range Cord*	Optional	Optional	Optional	Optional	Optional

*Consult Local/National Electric Codes



SEALED GAS BURNER RATINGS

Maximum Output –	Low Turn-Down Output –
16,000 BTU Natural Gas/14,000 BTU LP Gas	1,800 BTU Natural Gas
14,000 BTU Natural Gas/11,000 BTU LP Gas	1,500 BTU Natural Gas
12,000 BTU Natural Gas/10,000 BTU LP Gas	1,200 BTU Natural Gas
9,500 BTU Natural Gas/8,000 BTU LP Gas	850 BTU Natural Gas
5,000 BTU Natural Gas/4,500 BTU LP Gas	675 BTU Natural Gas

ELECTRIC SLIDE-IN RANGES

Models	PLES399E	PLES389E	GLES389E	FES367EC	FES366EC	FES366E	FES365EC	FES365E	FES355E	FES300E
Series	Professional	Professional	Gallery	Frigidaire	Frigidaire	Frigidaire	Frigidaire	Frigidaire	Frigidaire	Frigidaire
Control Panel Features										
EasySet™ Electronic Oven Control	ES510	ES510	ES510	ES350	ES350	ES350	ES300	ES300	ES300	ES100
Keypad Entry of Time & Temperature	*	*	*							
Icons, Dual Display & Word Prompting	*	*	*							
Electronic Clock/Timer/Temperature Display	*	*	*	*	*	*	*	*	*	*
Automatic Oven (Delay, Cook & Off)	*	*	*	*	*	*	*	*	*	*
Automatic Oven Shut-Off (12 hour)	*	*	*	*	*	*	*	*	*	*
F° or C° Programmable	*	*	*	*	*	*	*	*	*	*
Convection Conversion	*	*	*							
Speed Clean	*	*	*	*	*	*				
Maxx Clean™	*	*	*							
Sabbath Mode (Star-K Certified)	*	*	*							
Integrated Warmer Drawer	*	*	*							
Child Lockout Controls	*	*	*	*	*	*	*	*	*	*
Cooktop Features										
Smooth Ceramic Glass Cooktop	Black	Black	C. Coordinated	Black	Black	C. Coordinated	Black	C. Coordinated		
Porcelain Cooktop									C. Coordinated	C. Coordinated
QuadMaxx™ Cooking Surface		*	*							
7"/Bridge/7" (1800W/800W/1800W) Element	1									
9" to 12" (1700W/2700W) Expandable Element	1									
6" to 9" (1200W/2500W) Expandable Element		2	2	1	1	1	1	1		
5" to 7" (750W/1800W) Expandable Element		2	2							
9" (2700W) Radiant Element				1	1	1				
8" (2200W) Radiant Element							1	1		
6" (1200W) Radiant Element	1			2	2	2	2	2		
8" (2600W) High-Watt Coil Element									2	2
6" (1500W) High-Watt Coil Element									2	2
Hot-Surface Indicator Light (# Positions)	4	4	4	1	1	1	1	1		
Lift-Up Cooktop with Support Rod									*	*
Clean Sweep™ Porcelain Subtop									*	*
Chrome Drip Bowls									*	*
Spill-Control Cooktop									*	*
Precision Set™ Electronic Surface Controls	*	*	*							
Oven Features										
EvenCook™ Convection System	*	*	*							
SpeedBake® Convection System				*	*	*				
Self-Cleaning Oven w/Auto-Latch™ Safety Lock	*	*	*	*	*	*	*	*	*	*
Manual-Clean Porcelain Oven				*	*	*	*	*	*	*
Dual Radiant™ Baking System	*	*	*	*	*	*	*	*	*	*
Vari-Broil™ Temperature Control	400°-550°	400°-550°	400°-550°	Hi/Lo	Hi/Lo	Hi/Lo	Hi/Lo	Hi/Lo	Hi/Lo	Hi/Lo
Six-Pass Broil Element	*	*	*	*	*	*	*	*	*	*
Hidden Bake Element	*	*	*							
Interior Oven Lighting	2 (Auto./Integr.)	2 (Auto./Integr.)	2 (Auto./Integr.)	1 (Auto./Integr.)	1 (Auto./Integr.)	1 (Auto./Integr.)	1 (Auto./Switch)	1 (Auto./Switch)	1 (Auto./Switch)	1 (Switch)
Porcelain Broiler Pan	*	*	*	*	*	*	*	*	*	*
Heavy-Duty Oven Racks	3	3	3							
Conventional Oven Racks				2	2	2	2	2	2	2
Convection Roasting Rack	1	1	1							
Oven Door Style										
Removable Window Door	Stainless Steel	Stainless Steel	C. C. Glass	Stainless Steel	Stainless Steel	C. C. Glass	Stainless Steel	C. C. Glass	C. C. Glass	C. C. Steel
Door Handle	Pro S. Steel	Pro S. Steel	C. C. UltraSoft™	S. S. Towel Bar	Black UltraSoft™	C. C. UltraSoft™	Black UltraSoft™	C. C. UltraSoft™	C. C. UltraSoft™	C. C. UltraSoft™
Visualite™ Window	Extra Large	Extra Large	Large	Extra Large	Extra Large	Large	Extra Large	Large	Large	Standard
Drawer Features										
Warm & Serve® Drawer (1.6 Cu. Ft.)	Stainless Steel	Stainless Steel	C. C. Porcelain							
Removable Storage Drawer				Stainless Steel	Stainless Steel	C. C. Porcelain	Stainless Steel	C. C. Porcelain	C. C. Porcelain	C. C. Porcelain
Drawer Handle	Pro S. Steel	Pro S. Steel	C. C. UltraSoft™	S. S. Towel Bar	Black UltraSoft™	Integrated	Black UltraSoft™	Integrated	Integrated	Integrated
Extendable Drawer Glides	*	*	*	*	*	*	*	*	*	*
Color/UPC (0-57112-)										
Stainless Steel - Black (C)	09025-2	08947-8		08962-1	08961-4		08957-7			
White-on-White (S)			08948-5			08958-4		08954-6	08965-2	08963-8
Bisque-on-Bisque (Q)			08949-2			08959-1		08955-3		
Black-on-Black (B)			08950-8			08960-7		08956-0	08966-9	08964-5
Specifications										
Oven Capacity	4.2 Cu. Ft.	4.2 Cu. Ft.	4.2 Cu. Ft.	4.2 Cu. Ft.	4.2 Cu. Ft.	4.2 Cu. Ft.	4.2 Cu. Ft.	4.2 Cu. Ft.	4.2 Cu. Ft.	4.2 Cu. Ft.
Interior Oven Dimensions (WxHxD)	24-1/8" x 16-1/2" x 18-1/32"	24-1/8" x 16-1/2" x 18-1/32"	24-1/8" x 16-1/2" x 18-1/32"	24-1/8" x 16-1/2" x 18-1/32"	24-1/8" x 16-1/2" x 18-1/32"	24-1/8" x 16-1/2" x 18-1/32"	24-1/8" x 16-1/2" x 18-1/32"	24-1/8" x 16-1/2" x 18-1/32"	24-1/8" x 16-1/2" x 18-1/32"	24-1/8" x 16-1/2" x 18-1/32"
Product Weight	189 Lbs.	189 Lbs.	189 Lbs.	149 Lbs.	149 Lbs.	149 Lbs.	145 Lbs.	145 Lbs.	155 Lbs.	135 Lbs.
Shipping Weight (Approx.)	209 Lbs.	209 Lbs.	209 Lbs.	169 Lbs.	169 Lbs.	169 Lbs.	165 Lbs.	165 Lbs.	175 Lbs.	155 Lbs.
Connected Load (kW Rating) 240/208 Volts	13.3/10.0	13.6/10.2	13.6/10.2	11.0/8.3	11.0/8.3	11.0/8.3	10.5/7.9	10.5/7.9	11.6/8.7	11.2/8.4
Amps @ 240/208 Volts	55.4/48.0	55.4/49.0	55.4/49.0	45.8/39.9	45.8/39.9	45.8/39.9	43.7/37.9	43.7/37.9	48.3/41.8	46.6/40.4
Minimum Circuit Required - Amps*	40	40	40	40	40	40	40	40	40	40
Armored Electrical Cable	*	*	*	*	*	*	*	*	*	*
Bake Element Wattage 240/208 Volts	3400/2554	3400/2554	3400/2554	3400/2554	3400/2554	3400/2554	3400/2554	3400/2554	3400/2554	3000/2553
Broil Element Wattage 240/208 Volts	2750/2065	2750/2065	2750/2065	2750/2065	2750/2065	2750/2065	2750/2065	2750/2065	2750/2065	2750/2065
Convection Element Wattage	350	350	350							

*Consult Local/National Electric Codes



ELECTRIC DROP-IN RANGES

Models	FED365E	FED355E	FED300E
Series	Frigidaire	Frigidaire	Frigidaire
Control Panel Features			
EasySet™ Electronic Oven Control	ES300	ES300	ES100
Electronic Clock/Timer/Temperature Display	•	•	•
Automatic Oven (Delay, Cook & Off)	•	•	•
Automatic Oven Shut-Off (12 hour)	•	•	•
Child Lockout Controls	•	•	•
Cooktop Features			
Smooth Ceramic Glass Cooktop	C. Coordinated		
Porcelain Cooktop		C. Coordinated	C. Coordinated
6" to 9" (1200/2500W) Expandable Element	1		
8" (2200W) Radiant Element	1		
6" (1200W) Radiant Element	2		
8" (2600W) High-Watt Coil Element		2	2
6" (1500W) High-Watt Coil Element		2	2
Hot-Surface Indicator Light (# Positions)	1		
Lift-Up Cooktop with Support Rod		•	•
Clean Sweep™ Porcelain Subtop		•	•
Chrome Drip Bowls		•	•
Spill-Control Cooktop		•	•
Oven Features			
Self-Cleaning Oven w/Auto-Latch™ Safety Lock	•	•	•
Manual-Clean Porcelain Oven			•
Dual Radiant™ Baking System	•	•	•
Vari-Broil™ Temperature Control	Hi/Lo	Hi/Lo	Hi/Lo
Six-Pass Broil Element	•	•	•
Interior Oven Lighting	1 (Automatic/Switch)	1 (Automatic/Switch)	1 (Switch)
Porcelain Broiler Pan	•	•	•
Conventional Oven Racks	2	2	2
Oven Door Style			
Removable Window Door	C. C. Glass	C. C. Glass	C. C. Steel
Door Handle	C.C. UltraSoft™	C.C. UltraSoft™	C.C. UltraSoft™
Visualite® Window	Large	Large	Standard
Color/UPC (0-571 12-)			
White-on-White (S)	08951-5	08968-3	08967-6
Bisque-on-Bisque (Q)	08952-2		
Black-on-Black (B)	08953-9	08969-0	
Specifications			
Oven Capacity	4.2 Cu. Ft.	4.2 Cu. Ft.	4.2 Cu. Ft.
Interior Oven Dimensions (WxHxD)	24-1/8" x 16-1/2" x 18-1/32"	24-1/8" x 16-1/2" x 18-1/32"	24-1/8" x 16-1/2" x 18-1/32"
Product Weight	130 Lbs.	134 Lbs.	117 Lbs.
Shipping Weight (Approx.)	145 Lbs.	149 Lbs.	132 Lbs.
Connected Load (kW Rating) 240/208 Volts	10.5/7.9	11.6/8.7	11.2/8.4
Amps @ 240/208 Volts	43.7/38.0	43.7/41.8	46.6/40.4
Minimum Circuit Required - Amps*	40	40	40
Armored Electrical Cable	•	•	•
Bake Element Wattage 240/208 Volts	3400/2253	3400/2253	3000/2253
Broil Element Wattage 240/208 Volts	2750/2065	2750/2065	2750/2065

*Consult Local/National Electric Codes

White

Black

Bisque

GAS OVEN BURNER RATINGS

Bake – 18,000 BTU Natural Gas/16,000 BTU LP Gas
Broil – 14,000 BTU Natural Gas/13,500 BTU LP Gas
 Convection Assist Element: 350 Watts

ACCESSORY KITS

Kit Color	Backguard Kit (1 Adjustable)	Side Panel Kit* (2 Panels)	Rear Filler Kit (3 Panels)	Side Filler Kits For Slide-Ins	For Drop-Ins
White	903046-9011	903066-9011	901193-9011	903045-9011	903045-9101
Black	903046-9010	903066-9010	901193-9010	903045-9010	903045-9100
Bisque	903046-9014	903066-9014	901193-9014	903045-9014	903045-9104

*For use with Slide-In Ranges Only.

Note: All kits include necessary parts and instructions for easy installation.

Kits are pictured below in white for illustrative purposes only. Each kit is available for order in white, black and bisque.



Side Filler Kit

Fills the side gaps left from an older slide-in or drop-in model that previously had a 29" cut-out dimension.



Rear Filler Kit

Fills the gap between the countertop and rear of any slide-in or drop-in range, preventing liquids and food from spilling into the gap.



Backguard Kit

Creates a more finished look and also fills the gap between the countertop and rear of any slide-in or drop-in range, preventing liquids and food from spilling into the gap.

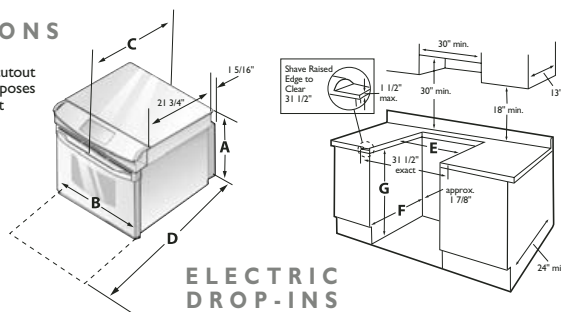


Side Panel Kit

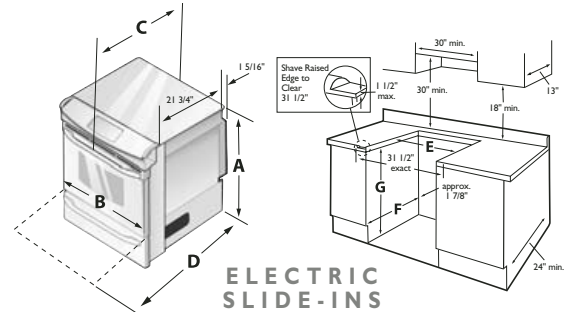
Creates a more finished look for any slide-in range when positioned at the end of a cabinet run.

INSTALLATIONS

The following dimension and cutout information is for planning purposes only. Refer to dimensions chart below for variable dimensions. For complete installation details consult manual packed with product, or download manual at Customer Service, online at www.frigidaire.com.



ELECTRIC DROP-INS



ELECTRIC SLIDE-INS

DIMENSIONS

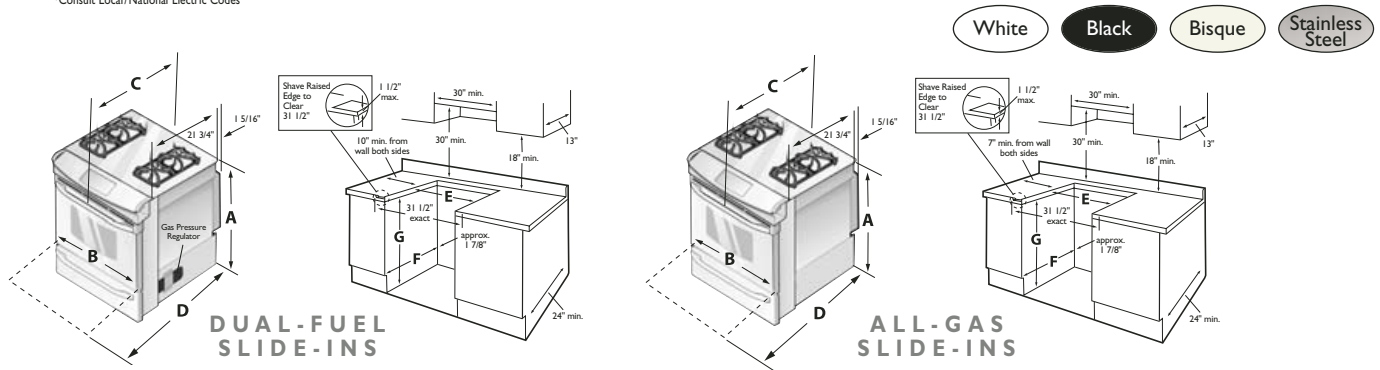
Models	Exterior Dimensions				Cut-Out Dimensions			
	A-Height	B-Width	C-Depth to Notch on Back of Console	to Extreme Protrusion	D-Depth with Door 90° Open	E-Minimum Width	F-Depth	G-Height
Electric Drop-In Ranges	26-1/2"	30"	24-3/4"	27"	44-1/4"	30"	21-3/4" Minimum 22-1/8" Maximum	29"
Electric Slide-In Ranges	35-5/8" Minimum 36-3/8" Maximum	30"	24-3/4"	28"	45-1/4"	30"	21-3/4" Minimum 22-1/8" Maximum	35-5/8" Minimum 36-3/8" Maximum

Specifications subject to change.

ALL-GAS SLIDE-IN RANGES

Models	PLGS389E	GLGS389E	FGS367EC	FGS366EC	FGS366E	FGS365EC	FGS365E
Series	Professional	Gallery	Frigidaire	Frigidaire	Frigidaire	Frigidaire	Frigidaire
Control Panel Features							
EasySet™ Electronic Oven Control	ESS10	ESS10	ES350	ES350	ES350	ES300	ES300
Keypad Entry of Time & Temperature	*	*					
Icons, Dual Display & Word Prompting	*	*					
Electronic Clock/Timer/Temperature Display	*	*	*	*	*	*	*
Automatic Oven (Delay, Cook & Off)	*	*	*	*	*	*	*
Automatic Oven Shut-Off (12 hour)	*	*	*	*	*	*	*
F° or C° Programmable	*	*					
Convection Conversion	*	*					
Speed Clean	*	*	*	*	*		
Maxx Clean™	*	*					
Sabbath Mode (Star-K Certified)	*	*					
Integrated Warmer Drawer	*	*					
Child Lockout Controls	*	*	*	*	*	*	*
Cooktop Features							
Deep Sump Porcelain Cooktop	*	*	*	*	*		
Porcelain Cooktop						*	*
16,000 BTU Sealed Power Plus™ Burner							
14,000 BTU Sealed Power Burner							
12,000 BTU Sealed Power Burner							
9,500 BTU Sealed Burner						2	2
5,000 BTU Low Simmer Sealed Burner							
Full-Width Continuous Grates	Pro Matte	Gloss	Matte	Matte	Gloss	Matte	Gloss
Linear Flow Burner Valves (270°)	*	*	*	*	*	*	*
Electronic Pilotless Ignition	*	*	*	*	*	*	*
Oven Features							
EvenCook™ Convection System	*	*					
SpeedBake™ Convection System			*	*	*	*	*
Self-Cleaning Oven w/Auto-Latch™ Safety Lock	*	*	*	*	*	*	*
Vari-Broil™ Temperature Control	400°-550°	400°-550°	Hi/Lo	Hi/Lo	Hi/Lo	Hi/Lo	Hi/Lo
Interior Oven Lighting	2 (Auto./Integrated)	2 (Auto./Integrated)	1 (Auto./Integrated)	1 (Auto./Integrated)	1 (Auto./Integrated)	1 (Auto./Switched)	1 (Auto./Switched)
Porcelain Broiler Pan			*	*	*	*	*
Heavy-Duty Oven Racks	3	3					
Conventional Oven Racks			2	2	2	2	2
Convection Roasting Rack							
Oven Door Style							
Removable Window Door	Stainless Steel	C. C. Glass	Stainless Steel	Stainless Steel	C. C. Glass	Stainless Steel	C. C. Glass
Door Handle	Pro Stainless Steel	C.C. UltraSoft™	Stainless Steel Towel Bar	Black UltraSoft™	C.C. UltraSoft™	Black UltraSoft™	C.C. UltraSoft™
Visualite® Window	Extra Large	Large	Extra Large	Extra Large	Large	Extra Large	Large
Drawer Features							
Warm & Serve® Drawer (1.4 Cu. Ft.)	Stainless Steel	C. C. Porcelain					
Removable Storage Drawer			Stainless Steel	Stainless Steel	C. C. Porcelain	Stainless Steel	C. C. Porcelain
Drawer Handle	Pro Stainless Steel	C.C. UltraSoft™	Stainless Steel Towel Bar	Black UltraSoft™	Integrated	Black UltraSoft™	Integrated
Extendable Drawer Glides	*	*	*	*	*	*	*
Color/UPC (0-57112-)							
Stainless Steel - Black (C)	09047-4		09043-6	09042-9		09038-2	
White-on-White (S)		09044-3			09039-9		09035-1
Bisque-on-Bisque (Q)		09045-0			09040-5		09036-8
Black-on-Black (B)		09046-7			09041-2		09037-5
Specifications							
Oven Capacity	4.2 Cu. Ft.	4.2 Cu. Ft.	4.2 Cu. Ft.	4.2 Cu. Ft.	4.2 Cu. Ft.	4.2 Cu. Ft.	4.2 Cu. Ft.
Interior Oven Dimensions (WxHxD)	24-1/8" x 16-1/2" x 18-1/32"	24-1/8" x 16-1/2" x 18-1/32"	24-1/8" x 16-1/2" x 18-1/32"	24-1/8" x 16-1/2" x 18-1/32"	24-1/8" x 16-1/2" x 18-1/32"	24-1/8" x 16-1/2" x 18-1/32"	24-1/8" x 16-1/2" x 18-1/32"
Product Weight	190 Lbs.	190 Lbs.	185 Lbs.	185 Lbs.	185 Lbs.	185 Lbs.	185 Lbs.
Shipping Weight (Approx.)	210 Lbs.	210 Lbs.	205 Lbs.	205 Lbs.	205 Lbs.	205 Lbs.	205 Lbs.
LP Convertible (No Additional Parts Required)	*	*	*	*	*	*	*
120V/60 Hz/15 Amp Power Source*	Required	Required	Required	Required	Required	Required	Required
Oven Baking Rating (BTU)	18,000	18,000	18,000	18,000	18,000	18,000	18,000
Oven Broil Rating (BTU)	14,000	14,000	14,000	14,000	14,000	14,000	14,000

*Consult Local/National Electric Codes



DIMENSIONS

Models	Exterior Dimensions				Cut-Out Dimensions		
	A-Height	B-Width	C-Depth to Notch on Back of Console	D-Depth to Extreme Protrusion	E-Minimum Width	F-Depth	G-Height
Dual-Fuel Slide-In Ranges	35-5/8" Minimum 36-3/8" Maximum	30"	24-3/4"	28"	30"	21-3/4" Minimum 22-1/8" Maximum	35-5/8" Minimum 36-5/8" Maximum
All-Gas Slide-In Ranges	35-5/8" Minimum 36-3/8" Maximum	30"	24-3/4"	28"	30"	21-3/4" Minimum 22-1/8" Maximum	35-5/8" Minimum 36-5/8" Maximum

Specifications subject to change.

Frigidaire® Slide-In / Drop-In Ranges

FULL ONE-YEAR WARRANTY

Every Electrolux Home Products electric range and gas range is guaranteed to be free of materials defects or component malfunctions. Electrolux Home Products will repair, without charge, any problem that occurs during the first year after original date of purchase.*

LIMITED 2ND - 5TH YEAR WARRANTY

Smoothtops and Radiant Heating Elements

Electrolux Home Products will provide a replacement for any defective surface heating element or glass smoothtop that cracks due to thermal breakage (not customer abuse), for the second through fifth years from original date of purchase.* Diagnostic, transportation and labor costs which are required because of service are the responsibility of the consumer.

*Some restrictions may apply for Alaska.

This warranty is provided by Electrolux Home Products North America, a division of Electrolux Home Products Inc. in the U.S.A., and in Canada by Electrolux Canada Corp. For complete warranty details, please refer to your Owner's Manual.

High standards of quality at Electrolux Home Products mean we are constantly working to improve our products. We reserve the right to change specifications or discontinue models without notice.

PARTS AND SERVICE

Wherever you live or move in the U.S.A., our national network of authorized independent service companies provide prompt, professional repair service. To maintain warranties, always ask for Electrolux Home Products Genuine Renewal Parts.



Frigidaire

USA
250 Bobby Jones Expressway, Martinez, GA 30907
1-800-FRIGIDAIRE • <http://www.frigidaire.com>

CANADA
5855 Terry Fox Way, Mississauga, ON L5V 3E4
1-800-668-4606

 *The Electrolux Group. The world's No. 1 choice.*

ELECTROLUX

THE WORLD'S NUMBER ONE CHOICE

Every Frigidaire® appliance is backed by the global strength of the Electrolux Group, the world's largest producer of kitchen and cleaning appliances.